

# CL Water Series

Efficient  
Oil-Fired  
Cast Iron Boiler



- **Up to 86.1% AFUE,**
- **70 to 210 Net BTUs**
  - In 9 sizes
- **Chimney vented**
- **Integrated boiler control**
  - User-friendly
  - Energy-saving “thermal purge” feature circulates residual warm water in heating system prior to firing boiler
  - Combination high limit circulator relay
  - Extensively tested & proven
- **Cast iron heat exchanger**
  - Wet base design
- **Tankless coil available**
  - For domestic hot water
- **Metal section connectors**
  - Resistant to chemicals, offer increased boiler longevity
- **Designed for ease of service**
  - Swing-away cast iron door provides easy access to combustion chamber
- **Lifetime limited warranty**
  - See your installing contractor for more warranty information



**New Yorker**<sup>®</sup>  
RESIDENTIAL HEATING BOILERS

MADE IN  
  
U . S . A .

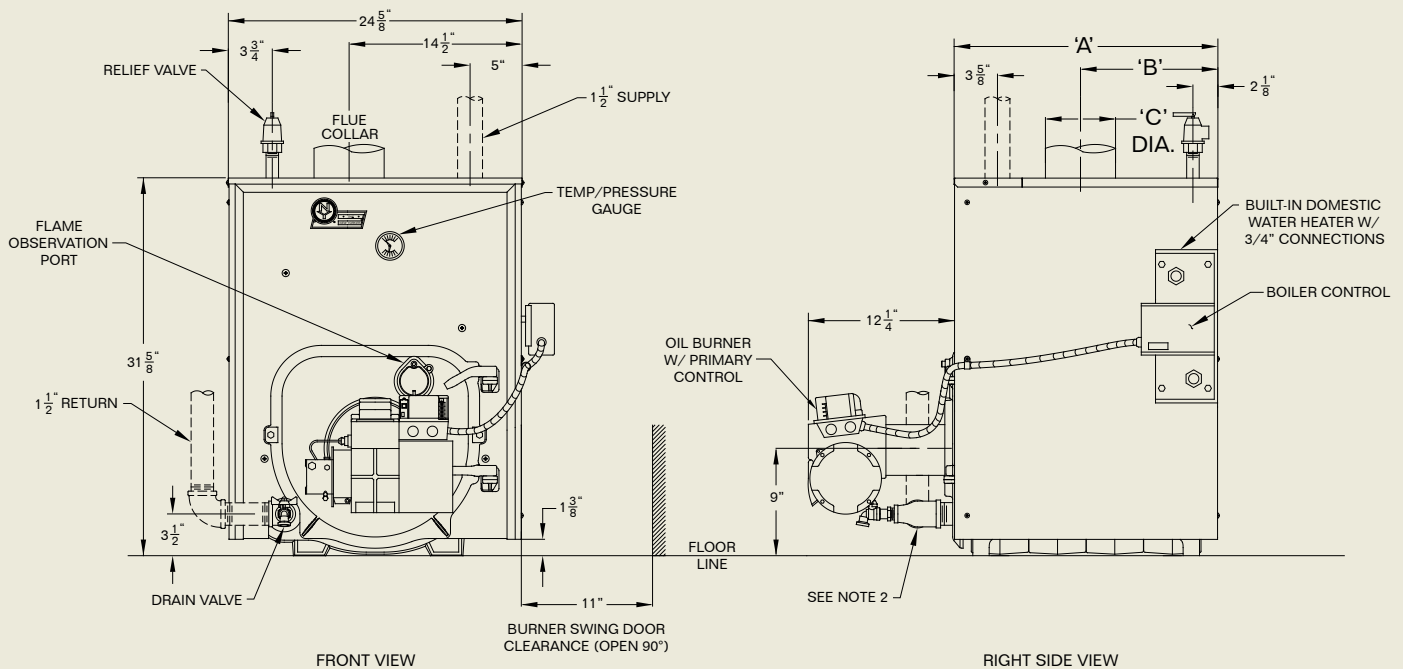
# Ratings, Specifications, & Dimensions

Model	DOE Heating Capacity (MBH)	AHRI Net Ratings (MBH)	Burner Capacity (GPH)	AFUE (%)	Minimum Chimney Requirements	Tankless Heater (GPM)	Jacket Depth 'A'	Jacket Rear to Center of Flue 'B'	Flue Collar Diameter 'C'	Approx Ship Wt. (lbs.)
<b>CL3-091</b>	80	70	0.65	86.1	8" x 8" x15'	2.75	17-3/8"	8-1/4"	6"	560
<b>CL3-105</b>	92	80	0.75	86.0	8" x 8" x15'	3.00	17-3/8"	8-1/4"	6"	560
<b>CL3-140</b>	120	104	1.00	84.3	8" x 8" x15'	3.25	17-3/8"	8-1/4"	6"	560
<b>CL4-126</b>	111	97	0.90	86.0	8" x 8" x15'	3.25	22-3/8"	10-7/8"	7"	680
<b>CL4-175</b>	151	131	1.25	85.1	8" x 8" x15'	3.75	22-3/8"	10-7/8"	7"	680
<b>CL4-210</b>	179	156	1.50	84.0	8" x 8" x15'	4.00	22-3/8"	10-7/8"	7"	680
<b>CL5-168</b>	147	128	1.20	85.9	8" x 8" x15'	3.50	27-3/8"	13-3/8"	8"	800
<b>CL5-245</b>	212	184	1.75	85.1	8" x 8" x15'	4.25	27-3/8"	13-3/8"	8"	800
<b>CL5-280</b>	241	210	2.00	84.7	8" x 8" x15'	4.75	27-3/8"	13-3/8"	8"	800

## Standard Features

- Fully packaged
- Integrated boiler control system
- Beckett AFG oil burner - burner packaged separately for easier handling
- Beckett GeniSYS primary control
- Electronic ignitor 14KV

- Taco 007e circulator
- Metal section connectors
- Combustion target wall
- Vertical flue design
- Insulated jacket designed for easy removal
- Relief valve



### Notes:

- Circulator supplied loose — may be installed on supply or return.
- Return fittings and drain valve shipped loose.
- Piping shown hidden not furnished with boiler.

